

# SOYAL®

Access Control Management System



## Why you should choose SOYAL ?



### ✓ More competitive costing

Soyal reader has built in single door controller to give you 2 in 1 best value. This allows reduced wiring, simplified installation and more convenient maintenance. Therefore overall project cost can be lowered and save you more money.

### ✓ Wide range of reader choice

Soyal offer from low cost standalone to high performance reader. You can easily mix and match to meet your project requirement while still stay within the budget. Soyal can cater complete solution from low end to high end market under single brand.

### ✓ Easy to use yet powerful software

SoyalEtegra software has clean GUI and optimized to offer practical function instead of crowded by unnecessary advanced bell and whistles. Therefore our software is easier to learn, simple to use and easier for technical support.

### ✓ Flexible architecture

Soyal support mixture of TCP/IP (LAN or internet) and RS485 network so that you can take the best of both worlds while maintaining scalability for adding more readers in future.

### ✓ Continuous innovation

Soyal R&D team is constantly developing innovative new product to cater the ever changing trend in marketplace to ensure that you can always stay ahead.



# Controller and reader

## Standalone



AR723



AR721KP

Simplest and most affordable way to secure your building. Completely standalone system with card only or pin number operation up to 250 users. Does not require any software management.

## Metal



AR331T

AR331H

AR331U

Metal housing provides vandal resistant protection. Touch panel keypad and slim form factor make it easy to fit into narrow door frame while maintaining prestigious premium outlook. Stylish metallic design give a cool tech impression.

3000 users, 1500 event memory and 11 time zones.

## Basic



AR721H



AR721U

Highly affordable and low budget entry level reader that can connect to software. Ideal for application with limited budget and require only optimum feature.

1024 users, 1200 event memory, 11 time zone.



AR327H

AR321H

## Touch



AR725H



AR725U

Illuminated touch panel keypad over black shiny surface for higher class elegant design. Purple frame signify more trendy design.

3000 users, 1500 event memory and 11 time zones.

## Standard



AR727H



AR737U

Access controller with LCD screen for standard application. Water splash proof design increase durability. Graphical big LCD screen show clock and easy to program.

1024 users, 1200 event memory, 11 time zone.

## Door Lock



AR323D

RFID reader is integrated into door lock for more neat installation. No more reader and EM lock installed separately.

## Performance



AR829E

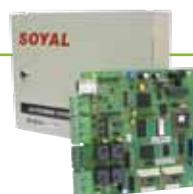


AR721U

Controller reader with with highest built in capacity to support enterprise level application. Graphical big LCD screen show user name and display customizable message. Support expiry date, all parameter set from software.

15K users, 11K event memory, 63 time zone

## Multidoor



AR716E

AR716E manage maximum up to 16 readers and global anti-passback across all readers. Support expiry date, all parameter set from software. Monitor all readers online status. Built in PGM IO for alarm alert purpose.

15K card users, 11K event memory, 11 time zone, 63 door group.



AR721E

AR721E is a 2 door controller support simpler 3000 users and 11 time zones.

## Fingerprint



AR821EF\_CS  
capacitive



AR881EF\_CS

Super fast fingerprint reader that are able to open door in 970 msec upon scanning. LCD screen show user name and display customizable message. Capacitive scanner can tolerate more varying skin condition of finger than optical scanner.



AR821EF\_OS  
optical



AR881EF\_OS

Support expiry date, all parameter set from software. AR821EF and AR881EF are able to work together as IN/Out reader pair.

9000 fingerprint, 16K card users, 32K event memory, 63 time zone.

## Accessories



AR321CM  
485-USB  
Converter



AR727CM  
485-TCPIP  
Converter

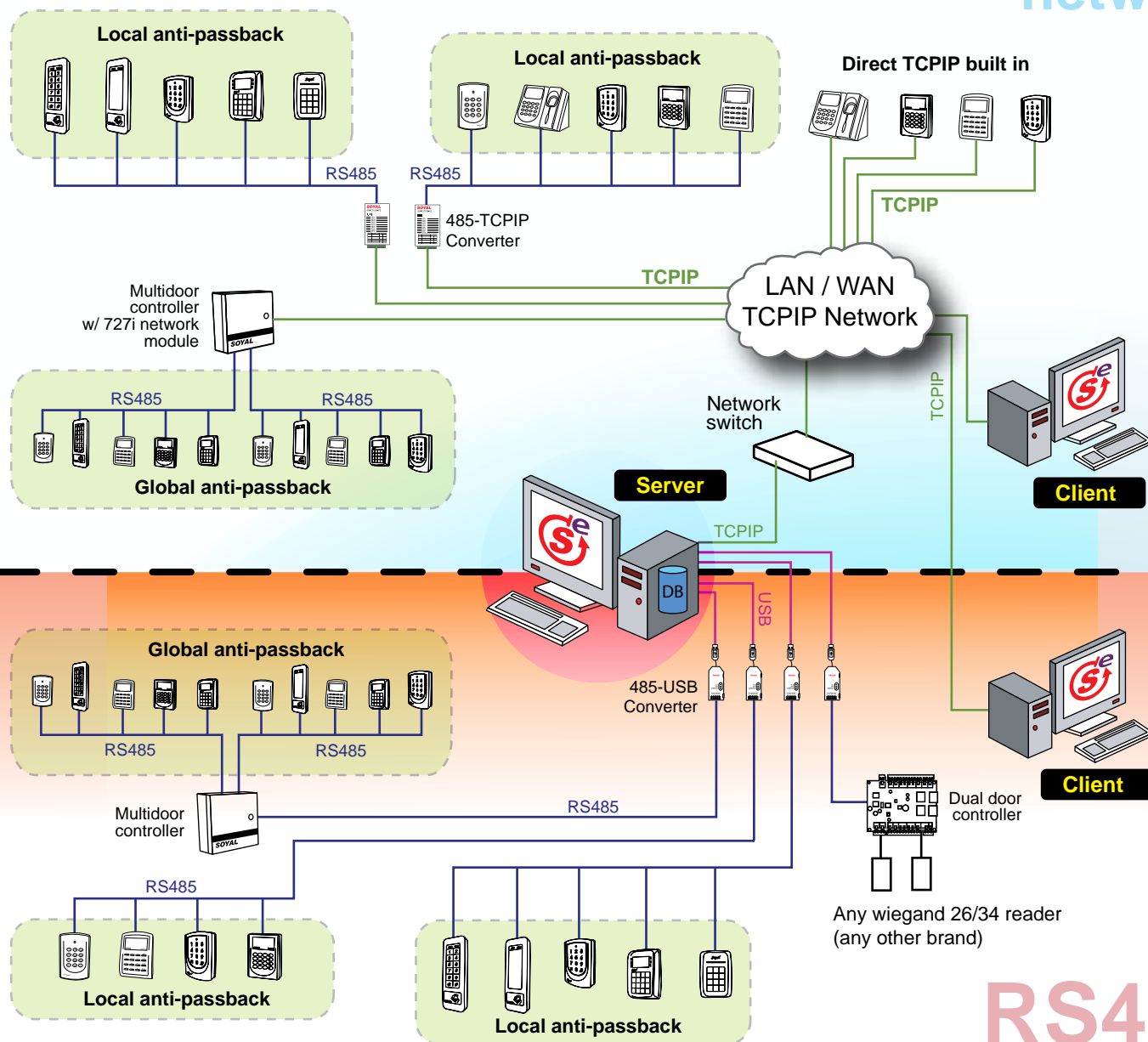


AR401RO16B  
Elevator relay  
interface

# Network Connection Architecture

RS485 and TCPIP connection architecture have their pro and cons. RS485 save wiring cost by allowing all readers to be looped using 2 wire only for up to 300m – 1km distance. TCPIP offer the convenience to wire reader to nearby available network point but require more cable (1 cable for each reader). SOYAL flexible architecture support mixture of RS485 and TCPIP connection allowing you to take the best advantage from both of them to suit site condition.

**TCPIP**  
network



**RS485**  
network

## Software

### 701 Software

701 software offer basic access control management. It uses text file based database for easier operation. Ideal for small scale project that require simple access features.

Support all models.



### SOYALetegra

SoyalEtegra SACS offer more comprehensive access control, time attendance, CCTV integration, alarm monitoring, E-Map and Area Control.

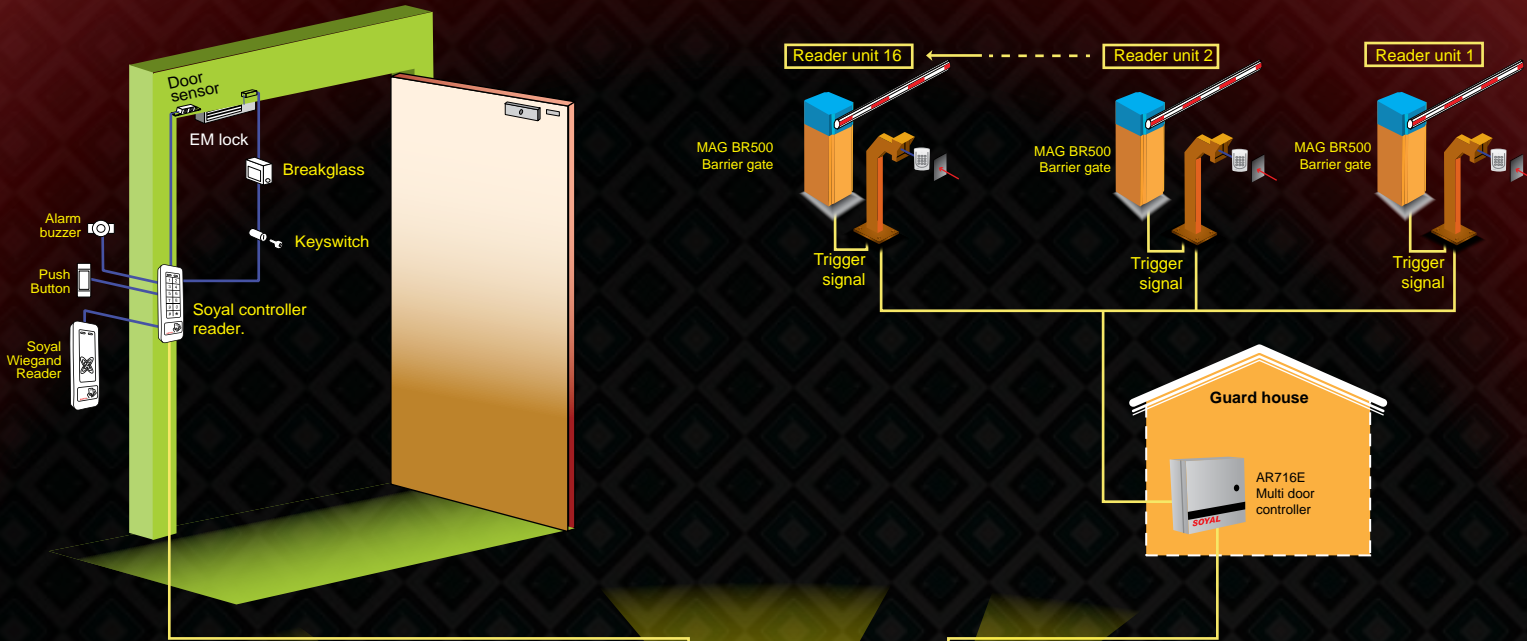
SACS uses powerful SQL database that allow multiple PC to manage and monitor the system simultaneously via client/server network.

SACS offer lite version for small company and professional (basic/advance) for enterprise application.

Only support selected models.



# Integrated Solution



Door

Parking

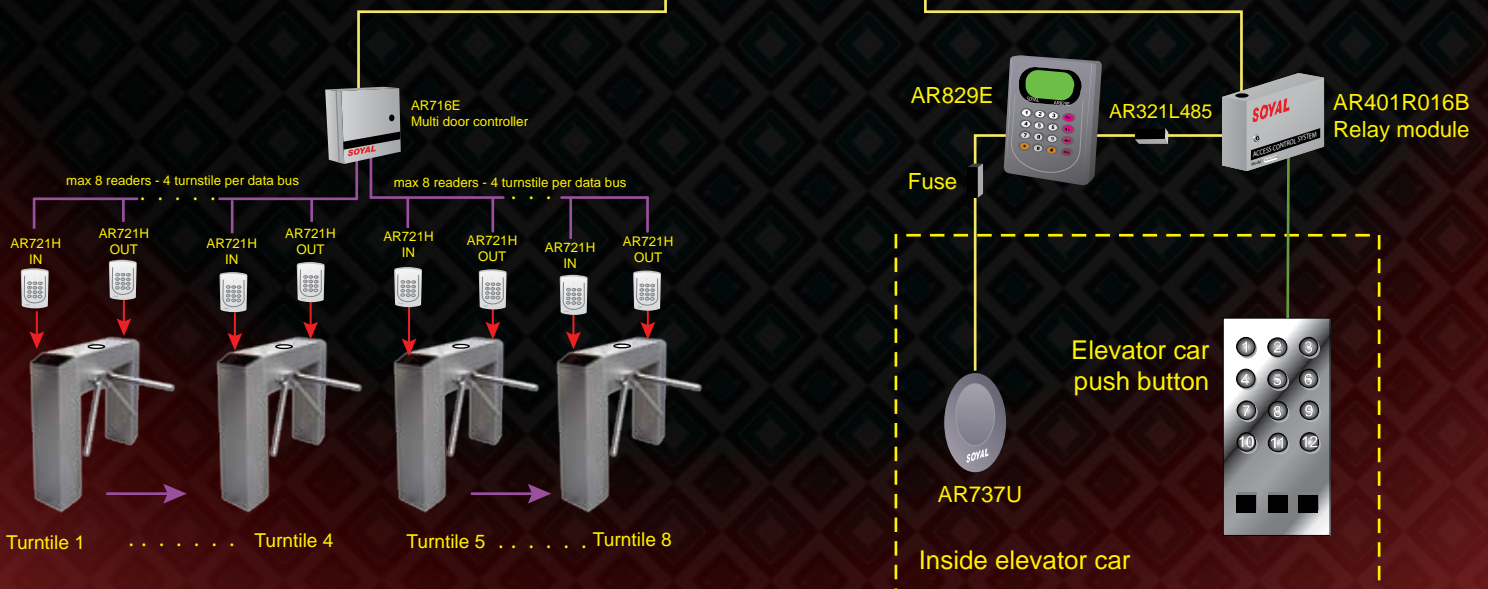


**SOYAL**etegra

Security Management Software

Turnstile

Elevator



Turnstile 1 . . . . . Turnstile 4      Turnstile 5 . . . . . Turnstile 8

Inside elevator car