



# The Power of Speed Domes

Professional Speed Domes & CCTV Cameras  
Designed for All Applications

# The Power of Speed Domes

## DM880 Series : DM882 / DM889

### Professional 36X Hi-Resolution Day / Night Colour Speed Dome

- 1/4" Colour CCD
- Powerful 432X zoom ; Optical : 36X, Digital : 12X
- Resolution : 480 (Day) / 550 (Night) TVL
- Day / night minimum illumination : 0.01 Lux
- 220 presets, 4 patrols, 4 patterns
- 7 alarm inputs and 2 alarm outputs
- 8 function schedules
- 24 privacy zone maskings
- IP66 weather proof standard
- OSD menu



DM889 (outdoor)



DM882 (indoor)



TeleEye RX-KB02

#### Accessories

Model	Description
DM88-PP	Parapet Mount Bracket for DM880 Series
DM88-PD	Pendant Mount Bracket for DM880 Series
DM88-PL	Pole Mount Bracket for DM880, DM720, DM590 and DM560 Series
DM88-CN	Corner Mount Bracket for DM880, DM720, DM590 and DM560 Series
DM88-VRC	Vandal Resistant Cover for DM880 Series
RX-KB02	TeleEye RX and DM Keyboard with Joystick
DM86-PeC	Pelco Coaxitron Protocol Board for DM880 Series
DM86-PeC-CVT1	1 Channel Pelco Coaxitron Code Receiver
DM86-PeC-CVT4	4 Channels Pelco Coaxitron Code Receiver

### Powerful 432X Zoom

TeleEye DM880, DM720 and DM590 Series are equipped with a reliable built-in 36X optical zoom lens that allows you to monitor a scene from any distance. Combined with a 12X digital zoom, its total zoom ratio can be boosted up to 432X for enabling powerful close-ups and capturing the subject details.



Optical 36X



Digital 12X



432X

### Advanced Privacy Zone Masking

TeleEye speed domes provide privacy zone masking function to mask out any undesired areas on screen. TeleEye DM880 and DM720 Series provides up to 24 masks for further protection.



### Built-in Alarm Function

With built-in alarm inputs, TeleEye DM880 Series can instantly return to their preset positions upon any alarm triggers. Alarm sensors being triggered, such as magnetic door contacts, PIR motion sensors, smoke detectors, can drive the relay switches to turn on some electrical devices, e.g. lighting appliance, buzzer.

## DM590 Series : DM597 / DM599 Professional 36X Day / Night Speed Dome

- 1/4" Colour CCD
- Resolution : 480 (Day) / 550 (Night) TVL
- Day / night minimum illumination : 0.01 Lux
- 128 presets, 6 patrols, 3 patterns
- 432X zoom ; Optical : 36X, Digital : 12X
- 8 privacy zone maskings
- IP66 weather proof standard
- OSD menu



DM597 (indoor) / DM599 (outdoor)  
DM562 (indoor) / DM563 (outdoor)

## DM560 Series : DM562 / DM563 Budget 30X Day / Night Speed Dome

- 1/4" Colour CCD
- Ultra hi-Resolution : 520 (Day) / 570 (Night) TVL
- Day / night minimum illumination : 0.08 Lux
- 50 presets, 1 patrol
- 240X zoom ; Optical : 30X, Digital : 8X
- IP66 weather proof standard



TeleEye RX-KB02

### Accessories

Model	Description
DM56-CL	Recessed Ceiling Mount Fixture for DM590 and DM560 Series
DM56-PD	Pendant Mount Bracket for DM590 and DM560 Series
DM88-PL	Pole Mount Bracket for DM880, DM720, DM590 and DM560 Series
DM88-CN	Corner Mount Bracket for DM880, DM720, DM590 and DM560 Series
DM56-VRC	Vandal Resistant Cover for DM590 and DM560 Series
RX-KB02	TeleEye RX and DM Keyboard with Joystick

## Day / Night Changeover Operation

TeleEye speed domes allow full colour surveillance during day-time down to 0.1 Lux operation. The camera switches to operate in B&W mode to increase its sensitivity for every low light to 0.01 Lux in the night time.



## Specifications

MODEL		DM882 (Indoor)	DM889 (Outdoor)
CAMERA OPTICS	Scanning System	PAL (625 lines, 50 fields per second) NTSC (525 lines, 60 fields per second)	
	Image Sensor	1/4" colour CCD	
	Resolution	480 (Day) / 550 (Night) TVL	
	Minimum Illumination	Day: 0.1 Lux (F1.6) at 50 IRE Night: 0.01 Lux (F1.6) at 50 IRE	
	Electronic Sensitivity Boost	On / Off	
	Video Output Level	1.0Vp-p (75ohms, composite)	
	Video S/N Ratio	≥50dB (AGC off)	
	White Balance	Auto / Manual	
	Gain Control	Auto / Manual	
	Electronic Shutter	1/4 - 1/10,000 sec	
	Iris	Auto / Manual	
	Back Light Compensation	On / Off	
	Lens	Aperture stop: F/1.6 - 4.5 Focal length: f = 3.4 - 122.4mm Viewing angle: 1.7° - 57.8°	
	Zoom	Optical: 36X / Digital: 12X (Total: 432X)	
	Privacy Zone Masking	On / Off, 24 masks	
MECHANICAL DESIGN	Panning	Range: 360° continuous Manual speed: 0.1° - 160°/sec Preset speed: 360°/sec	
	Tilting	Range: 0° - 90° Manual speed: 0.1° - 160°/sec Preset speed: 360°/sec	
	Control	220 Presets, 4 Patrols, 4 Patterns, 4 Auto Scans	
	Protocol	TeleEye DM2, Pelco P, Pelco D	
Built-in Alarm	7 Inputs, 2 Outputs		
POWER / ENVIRONMENT	Weather Proof Standard	-	IP66
	Fan	-	Continuous
	Heater	-	Auto Start
	Operating Temperature	0°C - 50°C	-40°C - 70°C
	Humidity	0% - 95% (No condensation)	-
	Power Source	AC 24V, 50W (max)	
	Net Weight	5 kg	5.32 kg

## DM Series Selection Guide

MODEL	DM882	DM889
Indoor / Outdoor	Indoor	Outdoor
Optical Zoom	36X	36X
Resolution (Day / Night)	480 / 550 TVL	480 / 550 TVL
OSD	Yes	Yes
Privacy Zone Masking	Yes	Yes
Alarm I/O	Yes	Yes

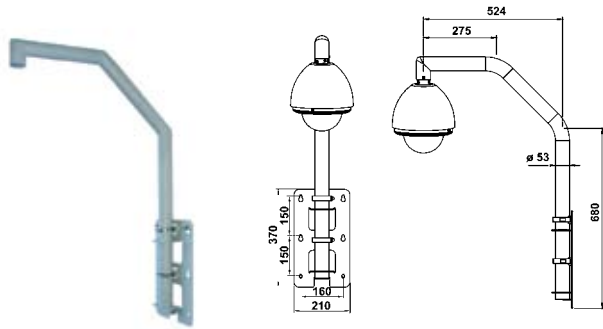
DM597 (Indoor)	DM599 (Outdoor)	DM562 (Indoor)	DM563 (Outdoor)
PAL (625 lines, 50 fields per second) NTSC (525 lines, 60 fields per second)			
1/4" colour CCD			
480 (Day) / 550 (Night) TVL		520 (Day) / 570 (Night) TVL	
Day: 0.1 Lux (F1.6) at 50 IRE Night: 0.01 Lux (F1.6) at 50 IRE		Day: 0.4 Lux (F1.6) at 50 IRE Night: 0.08 Lux (F1.6) at 50 IRE	
On / Off		–	
1.0Vp-p (75ohms, composite)		1.0Vp-p (75ohms, composite)	
≥50dB (AGC off)		≥50dB (AGC off)	
Auto / Manual		Auto / Manual	
Auto / Manual		Auto / Manual	
1/4 - 1/10,000 sec		1/50 - 1/10,000 sec	
Auto / Manual		Auto / Manual	
On / Off		On / Off	
Aperture stop: F/1.6 - 4.5 Focal length: f = 3.4 - 122.4mm Viewing angle: 1.7° - 57.8°		Aperture stop: F/1.6 - 3.2 Focal length: f = 3.3 - 99mm Viewing angle: 2.2° - 58°	
Optical: 36X / Digital: 12X (Total: 432X)		Optical: 30X / Digital: 8X (Total: 240X)	
On / Off, 8 masks		–	
Range: 360° continuous Manual speed: 0.1° - 300°/sec Preset speed: 360°/sec		Range: 360° continuous Manual speed: 0.8° - 240°/sec Preset speed: 240°/sec	
Range: 0° - 90° Manual speed: 0.1° - 120°/sec Preset speed: 360°/sec		Range: 0° - 90° Manual speed: 0.8° - 90°/sec Preset speed: 60°/sec	
128 Presets, 6 Patrols, 3 Patterns, 1 Auto Scan		50 Presets, 1 Patrol, 1 Auto Scan	
TeleEye DM2, Pelco P, Pelco D			
–			
–	IP66	–	IP66
–	Auto Start	–	Auto Start
–	Auto Start	–	Auto Start
0°C - 50°C	-22°C - 60°C	0°C - 50°C	-22°C - 60°C
0% - 90% (No condensation)	–	0% - 90% (No condensation)	–
AC 24V, 20W (max)	AC 24V, 35W (max)	AC 24V, 20W (max)	AC 24V, 35W (max)
3.5 kg	4.2 kg	3.5 kg	4.2 kg

DM597	DM599	DM562	DM563
Indoor	Outdoor	Indoor	Outdoor
36X	36X	30X	30X
480 / 550 TVL	480 / 550 TVL	520 / 570 TVL	520 / 570 TVL
Yes	Yes	–	–
Yes	Yes	–	–
–	–	–	–

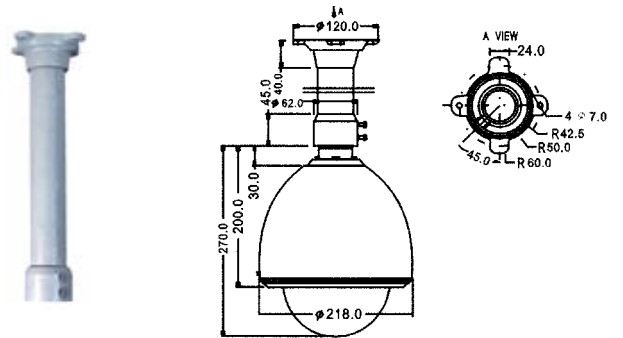
# The Power of Speed Domes

## Mounting Options of DM880 Series

DM88-PP Parapet Mount

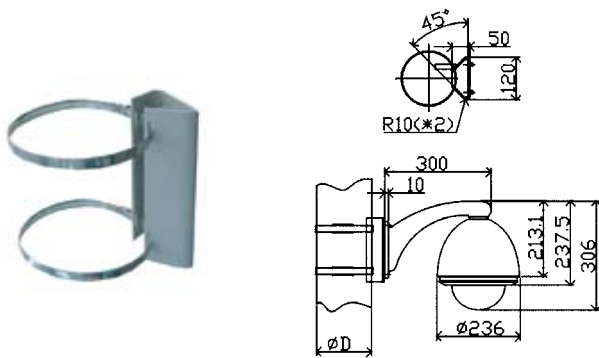


DM88-PD Pendant Mount

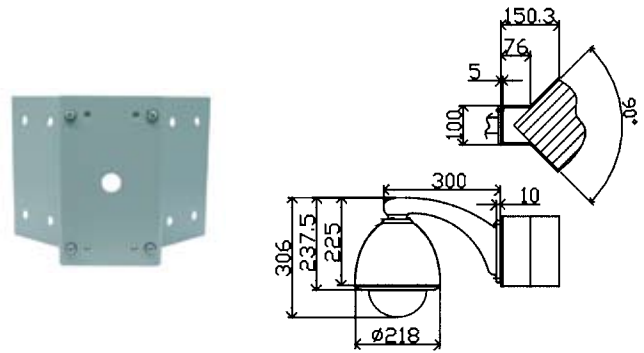


## Mounting Options of DM880, DM720, DM590 and DM560 Series

DM88-PL Pole Mount

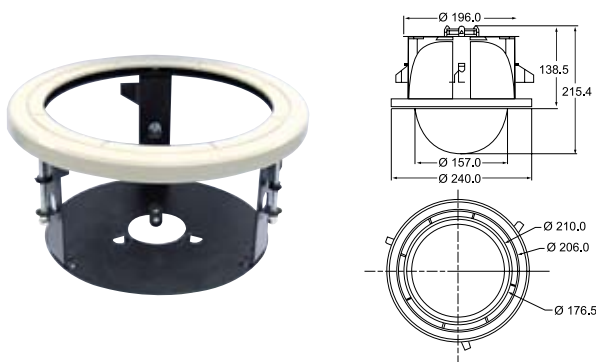


DM88-CN Corner Mount

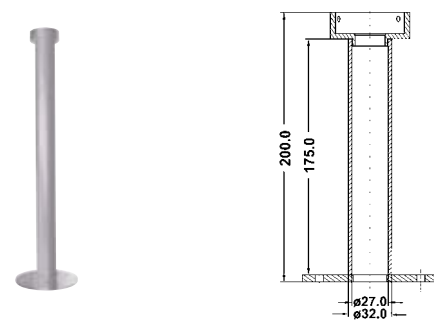


## Mounting Options of DM590 and DM560 Series

DM56-CL Ceiling Mount

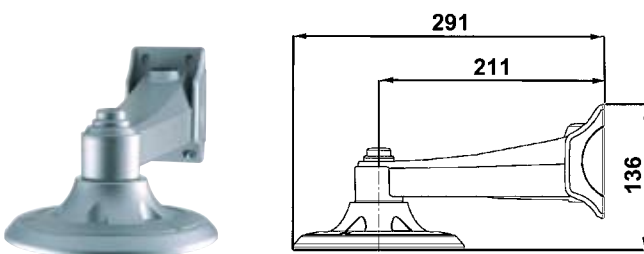


DM56-PD Pendant Mount



## Mounting Option of DM338

DM33-WL Wall Mount Bracket



## DM720 Series

### High Performance Integrated Positioning Camera

TeleEye DM720 Series carries a line of high performance integrated positioning cameras specially designed for demanding outdoor applications of video surveillance. TeleEye DM720 Series integrates a powerful pan/tilt head with a day-and-night maximum 432X zoom camera in IP66 standard outdoor housing and a telemetry receiver. The camera is capable of continuous pan rotation to 360° and tilt movement from -90° to +40°. With multi-protocols, TeleEye DM720 Series provides versatile 220 presets with title, 4 patrols, 4 patterns, 4 auto scans and 24-privacy zone maskings functions.

With built-in thermostat, heater, fan, sun-shield, defroster and wiper design, TeleEye DM720 Series suits any operations in atrocious weather environment perfectly. The camera being used in the TeleEye DM720 Series can be widely applied to outdoor installation like coast and borders patrol, harbour control, highway and traffic monitoring, prison and airport surveillance and many security applications.



DM728 (26X Zoom) / DM729 (36X Zoom)

#### Features:

- Maximum 432X zoom
- Minimum illumination: 0.01 lux
- 360° continuous pan and -90° to +40° tilt
- 220 presets with title, 4 patrols, 4 patterns, 4 auto scans
- 8 function schedules
- 8 zones with title
- 24 privacy zone maskings
- Auto running
- OSD menu

#### Environment:

- IP66 protection grade
- Sun shield, auto running defroster / heater / fan / wiper
- Operating temperature: -40°C – 60°C
- Operating wind speed: 90km/hour
- Withstand wind speed: 130km/hour
- Withstand rain fall: 4mm/min

#### Electrical:

- Input power: AC24V, AC220V, AC110V selectable, 50/60Hz
- Maximum power consumption: 60W
- Working voltage for defroster, heater, wiper, fan: 24V AC
- Working consumption for defroster, heater, wiper, fan: 21W
- 4000V video, data, power lightning proof

#### Mechanical:

- Horizontal movement: continuously 360° pan
- Vertical movement: -90° – +40° tilt
- Manual pan speed: 0.1°–70°/s
- Manual tilt speed: 0.1°–50°/s
- Preset speed: 140°/s
- Preset accuracy: 0.1°
- Net weight: 9.6kg

## Specifications

MODEL		DM728	DM729
CAMERA OPTICS	Scanning System	PAL (625 lines, 50 fields per second) NTSC (525 lines, 60 fields per second)	
	Image Sensor	1/4" colour CCD	
	Resolution	480 (Day) / 550 (Night) TVL	
	Minimum Illumination	Day: 0.14 Lux (F1.6) at 50 IRE Night: 0.05 Lux (F1.6) at 50 IRE	Day: 0.1 Lux (F1.6) at 50 IRE Night: 0.01 Lux (F1.6) at 50 IRE
	Video Output Level	1.0Vp-p (75ohms, composite)	
	Video S/N Ratio	≥50dB (AGC off)	
	White Balance	Auto / Manual	
	Gain Control	Auto / Manual	
	Focus	Auto / Manual	
	Electronic Shutter	1/4 – 1/10,000 sec	1/4 – 1/10,000 sec
	Back Light Compensation	On / Off	
	Iris	Auto / Manual	
	Lens	Viewing angle: 1.6° – 42°	Viewing angle: 1.7° - 57.8°
	Focal Length	f = 3.5 - 91mm	f = 3.4 - 122.4mm
Zoom	312X Zoom; Optical: 26X, Digital: 12X	432X Zoom, Optical: 36X, Digital: 12X	
Privacy Zone Masking	On / Off, 24 masks		
MECHANICAL DESIGN	Panning	Range: 360° continuous, Manual speed: 0.1° – 70°/sec, Preset speed: 140°/sec	
	Tilting	Range: -90° – 40°, Manual speed: 0.1° – 50°/sec, Preset speed: 140°/sec	
	Control	220 Presets with title, 4 Patrols, 4 Patterns, 4 Auto Scans	
	Protocol	TeleEye DM2, Pelco P, Pelco D	
	Built-in Alarm	-	
POWER / ENVIRONMENT	Weather Proof Standard	IP66	
	Fan	Auto running	
	Heater	Auto start	
	Operating Temperature	-40°C – 60°C	
	Power Source	AC 24V, 60W (max)	
	Net Weight	9.6kg	

# Mini Pan / Tilt Cameras



DM338 (outdoor)



DM336 (indoor)



TeleEye DM-KB04

## DM338

### Mini Outdoor Vandal Resistant Pan / Tilt Dome

- Resolution : 480 (Day) / 520 (Night) TVL
- Vandal resistant
- IP66 weather proof standard
- Vari-focal auto-iris lens, f=4 - 9mm
- 64 presets, 1 patrol
- 3X digital zoom (continuous) and auto pan

## DM336

### Mini Indoor Colour Pan / Tilt Dome

- Vari-focal auto-iris lens, f=4 - 9mm
- 3X digital zoom (continuous)
- Resolution : 470 TVL
- 64 presets, 1 patrol
- RS-485 telemetry interface
- Auto pan



DM33-WL  
Wall Mount Bracket for DM338

## Specifications

MODEL		DM338	DM336
CAMERA OPTICS	Image Sensor	1/3" colour CCD	
	Effective Pixels	PAL: 752 (H) x 582 (V) NTSC: 768 (H) x 494 (V)	
	Horizontal Resolution	480 (Day) / 520 (Night) TVL	470 TVL
	Lens	f = 4 - 9mm Vari-focal auto-iris lens, F1.2 (viewing angle (H) = approx. 70.8° - 31.4°)	
	Minimum Illumination	0.01 Lux (F1.2)	1.0 Lux (F1.2)
	White Balance	Auto	
	Electronic Shutter	1/50 (1/60) sec	
MECHANICAL DESIGN	Video S/N Ratio	>45dB (AGC off)	
	Panning	Range: 0° - 355°, Speed: 9° - 93°/sec	
	Tilting	Range: 5° - 90°, Speed: 9° - 66°/sec	
	Control	64 Presets, 1 Patrol	
	Data Rate	2400, 4800, 9600bps (auto detection)	
	Data Interface	RS-485	
POWER / ENVIRONMENT	Protocol	TeleEye DM4, Pelco D	
	Operating Temperature	-10°C - 50°C	
	Humidity	-	0 - 80%
	Power Source	12V DC, 600mA (max)	12V DC, 500mA (max)
Net Weight	1250g	600g	